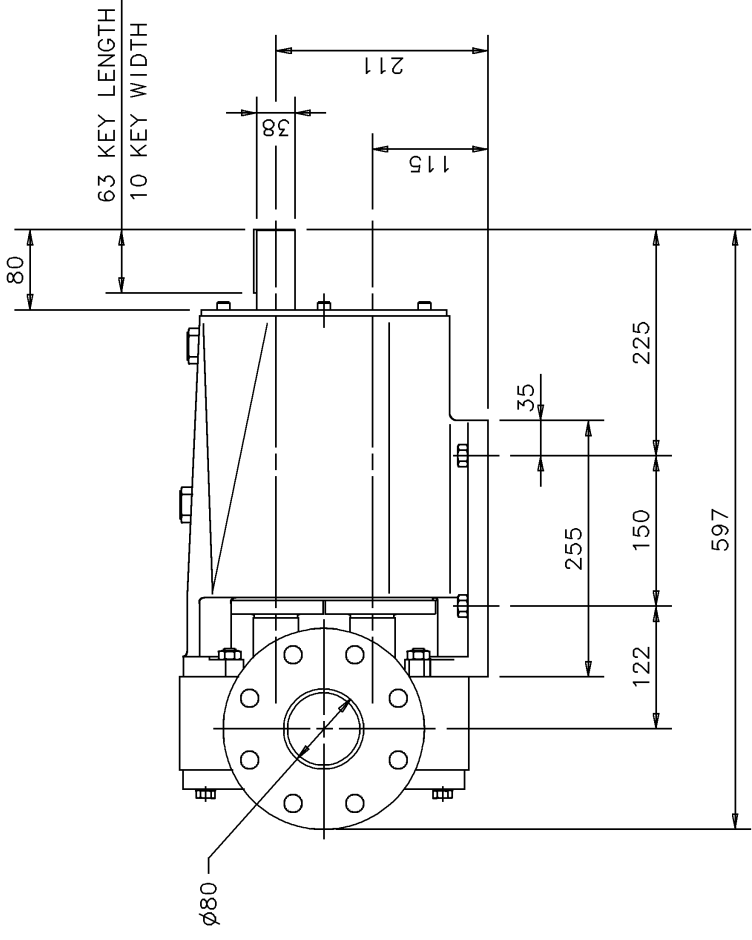
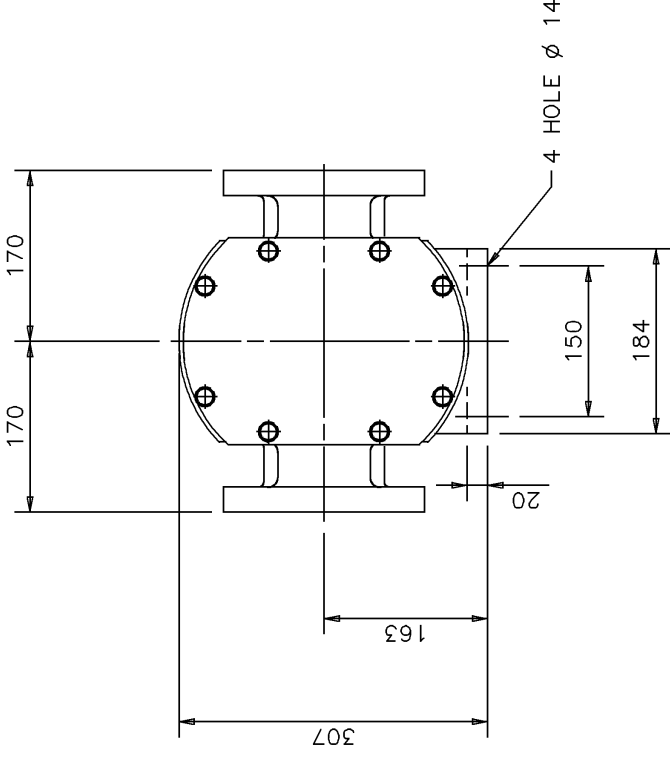



IF IN DOUBT ASK

THIRD ANGLE PROJECTION

DO NOT SCALE



		Alfa Laval Eastbourne		THIS DRAWING IS THE SOLE PROPERTY OF ALFA LAVAL LTD. WITHOUT WHOSE WRITTEN PERMISSION IT MUST NOT BE COPIED, REPRODUCED OR SHOWN TO THIRD PARTIES.	
SCALE 1/5 DRAWN GS APPROVED SC		MATERIAL N/A FINISH N/A		UNLESS OTHERWISE STATED DIMENSION TOLERANCE WHOLE NO. PLACE (0.0) ± 0.5 ONE DEC. PLACE (0.0) ± 0.1 ANGLES ± 0.5°	
REMOVE ALL BURRS AND SHARP EDGES DIMENSIONS IN MILLIMETRES		DIMENSION TOLERANCE WHOLE NO. PLACE (0.0) ± 0.5 ONE DEC. PLACE (0.0) ± 0.1 TWO DEC. PLACE (0.00) ± 0.05 ANGLES ± 0.5°		TITLE GENERAL ARRANGEMENT OF D4-0095-H05	
ISSUE DATE 22/03/04 DOJ10139		REVISION		No. GA04-144-A	