

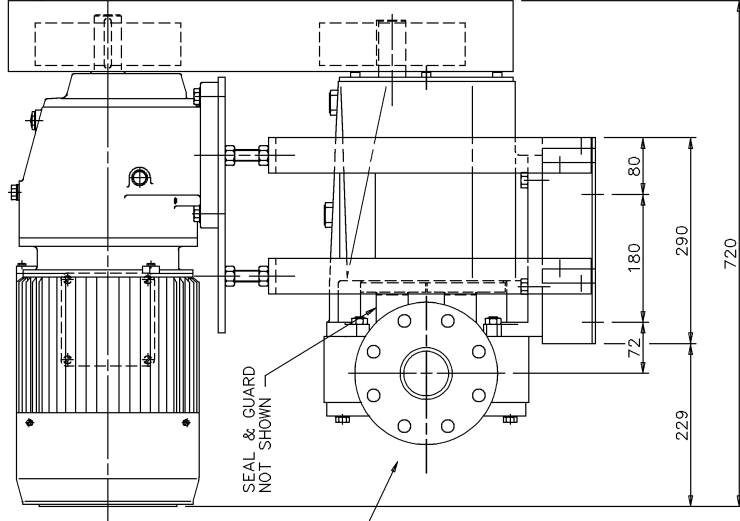
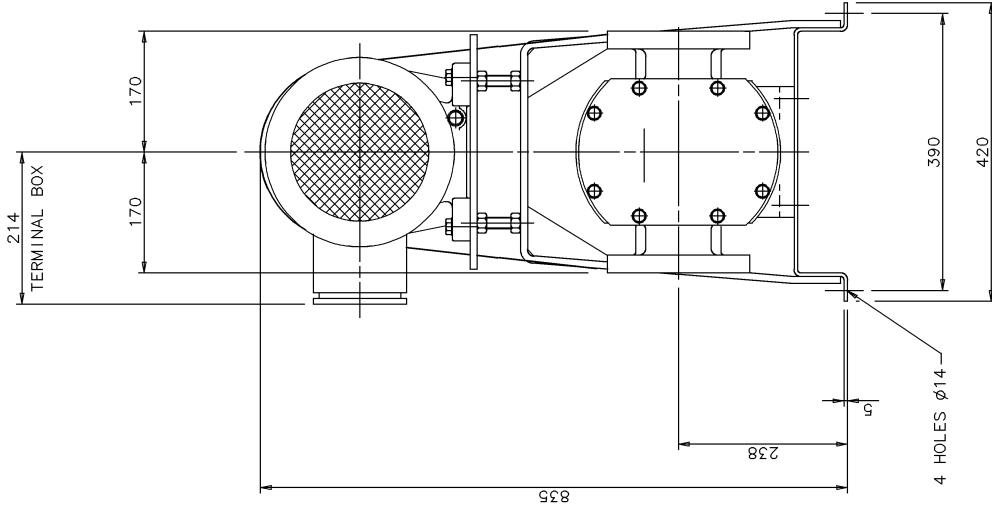
IF IN DOUBT ASK

THIRD ANGLE PROJECTION

DO NOT SCALE

MOTOR FITTED WITH 110/1/50 ANTI CONDENSATION HEATERS  
 ARGUS CAST IRON ENERGY EFFICIENT  
 MOTOR FITTED WITH THERMISTORS

GEARBOX MAKE	-	OPPERMAN
GEARBOX DETAILS	-	TDM20
MOTOR MAKE	-	BROOK CROMPTON
MOTOR DETAILS	-	HAD132SD
K.W.	-	5.5
VOLTS	-	415
PHASE	-	3
HZ	-	50
ENCLOSURE	-	TEFV IP55
OUTPUT SPEED RPM	-	90-370



SUCTION & DISCHARGE CONNECTIONS  
 FINISHED 4\* BS4504

**TYPICAL DRAWING ONLY**  
 FOR QUOTATION PURPOSES ONLY  
 NOT TO BE USED FOR  
 INSTALLATION PURPOSES

SCALE	MATERIAL	UNLESS OTHERWISE STATED	TOLERANCE ± 0.5 ± 0.1 ± 0.5
DRAWN 1/5	N/A	DIMENSION WHILE IN PLACE (0,0)	
G.L.	FINISH	ANGLES	TOLERANCE ± 0.5 ± 0.1 ± 0.5
APPROVED	N/A	DIMENSION WHILE IN PLACE (0,0)	
G.L.	REWORK ALL BURS AND SHARP EDGES DIMENSIONS IN MILLIMETRES	ANGLES	
ISSUE	DATE	REVISION	
A	05/07/98	DOJ 9195	



**Alfa Laval Eastbourne**

THIS DRAWING IS THE SOLE PROPERTY OF ALFA LAVAL LTD. WITHOUT WRITTEN PERMISSION IT MUST NOT BE COPIED, REPRODUCED OR SHOWN TO THIRD PARTIES.

TITLE  
 ARRANGEMENT OF D4-0095-H05  
 DIRECT COUPLED TO A GEARED MOTOR

No. GA99-302-A