

IF IN DOUBT - ASK

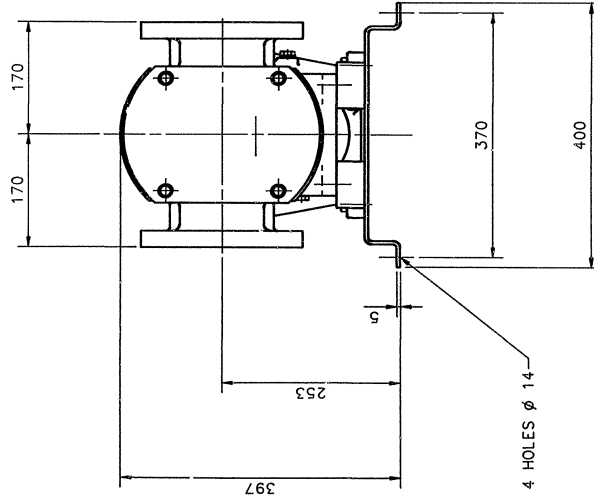
THIRD ANGLE PROJECTION

DO NOT SCALE

MOTOR DETAILS
TO BE SUITABLE FOR USE
WITH ANTI-CON HEATERS
110/1/50

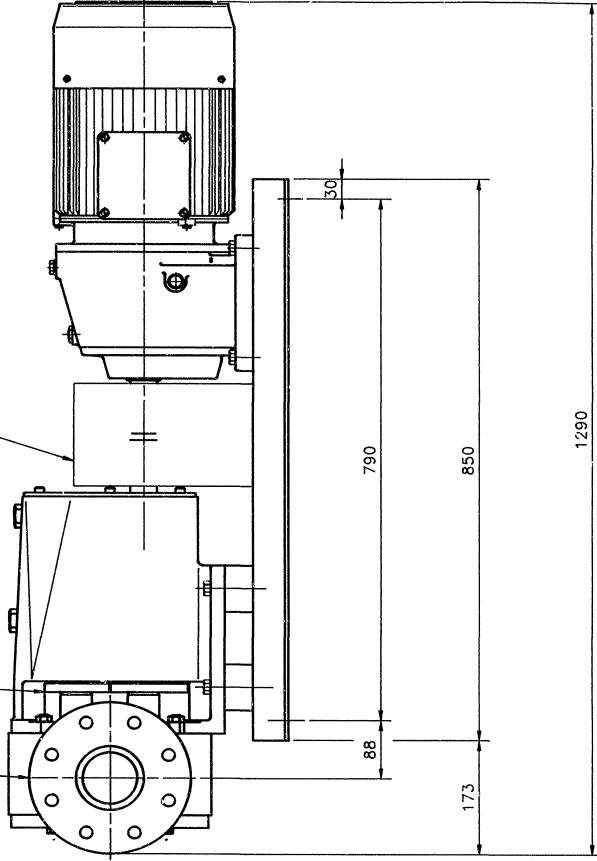
GEARBOX MAKE - OPPERMAN
GEARBOX DETAILS - TDM20
MOTOR MAKE - BROOK CROMPTON
MOTOR DETAILS - D132S *
K.W. - 5.5
VOLTS - 415
PHASE - 3
HZ - 50
ENCLOSURE - TEFLON IP55
OUTPUT SPEED RPM - 256

SUCTION & DISCHARGE CONNECTIONS
FINISHED 100mm BS4504



GUARDS NOT SHOWN
FOR CLARITY

COUPLING TOTALLY
ENCLOSED IN GUARD



SCALE		MATERIAL		UNLESS OTHERWISE STATED		Alfa Laval Pumps Ltd EASTBOURNE, ENGLAND.	
1:1		N/A		DIMENSION TOLERANCE		THIS DRAWING IS THE SOLE PROPERTY OF ALFA LAVAL PUMPS LTD. WITHOUT WHOSE WRITTEN PERMISSION IT MUST NOT BE COPIED, REPRODUCED OR SHOWN TO THIRD PARTIES	
1:2		N/A		WHOLE NO. ±0.5		No.	
1:5		N/A		ONE DEC. PLACE (0.0) ±0.1		GA94-435-A	
1:10		N/A		ANGLES ±0.5°		TITLE	
APPROVED		FINISH		WHOLE NO. ±0.5		GENERAL ARRANGEMENT OF DRM4/140	
MJS		N/A		ONE DEC. PLACE (0.0) ±0.25		DIRECT COUPLED TO A GEARED MOTOR	
REMOVED		REMOVE BURRS & SHARP EDGES		TWO DEC. PLACE (0.00) ±0.05			
ISSUE		REVISION		DIMENSIONS IN MILLIMETRES			
A		28/11/94					