

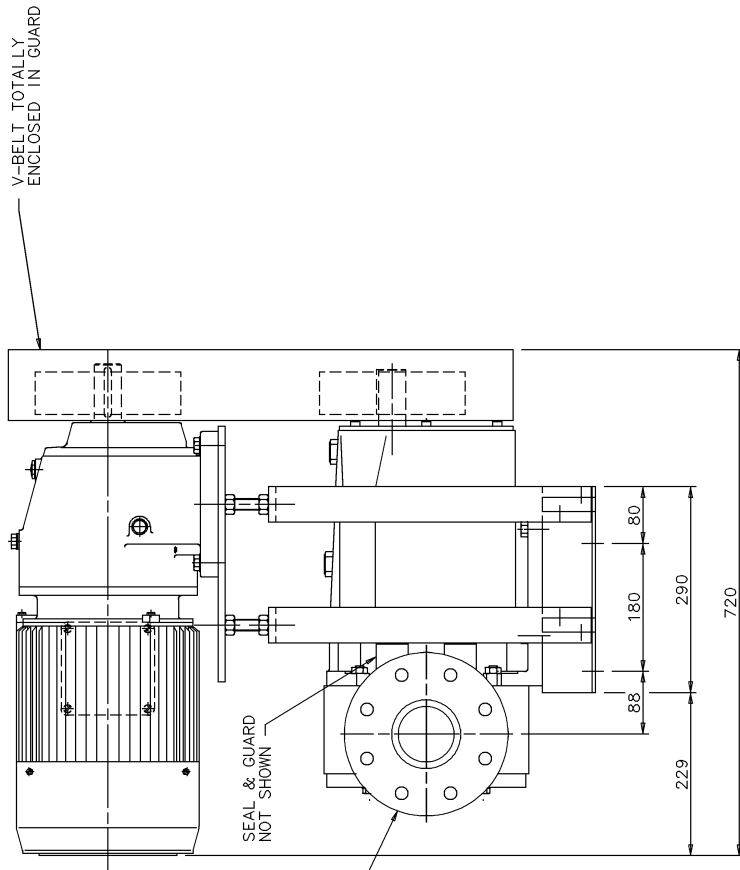
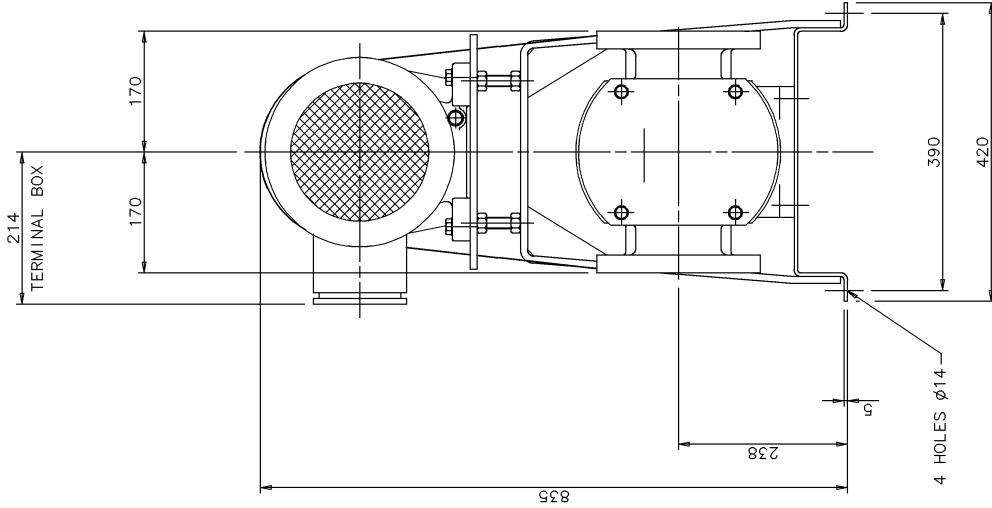
IF IN DOUBT ASK

THIRD ANGLE PROJECTION

DO NOT SCALE

MOTOR FITTED WITH 110/1/50 ANTI CONDENSATION HEATERS
ARGUS CAST IRON ENERGY EFFICIENT
MOTOR FITTED WITH THERMISTORS

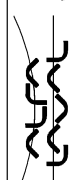
GEARBOX MAKE	-	OPPERMAN
GEARBOX DETAILS	-	TDM20
MOTOR MAKE	-	BROOK CROMPTON
MOTOR DETAILS	-	HAD132SD
K.W.	-	5.5
VOLTS	-	415
PHASE	-	3
HZ	-	50
ENCLOSURE	-	TEFV IP55
OUTPUT SPEED RPM	-	90-370



SUCTION & DISCHARGE CONNECTIONS FINISHED 4* BS4504

TYPICAL DRAWING ONLY
FOR QUOTATION PURPOSES ONLY
NOT TO BE USED FOR
INSTALLATION PURPOSES

SCALE	1/5	MATERIAL	N/A	UNLESS OTHERWISE STATED	DIMENSION	TOLERANCE
DRAWN	G. L.	FINISH	N/A	WHILE IN PLACE (0,0)	± 0.5	± 0.1
APPROVED	G. L.	REQUIRE ALL BURS AND SHARP EDGES TO BE REMOVED	DIMENSIONS IN MILLIMETRES	TWO DEC. PLACE (0,00)	± 0.5	± 0.5
ISSUE	A	DATE	05/07/98	DOJ	9195	
REVISION						



Alfa Laval Eastbourne
THIS DRAWING IS THE SOLE PROPERTY OF ALFA LAVAL LTD. WITHOUT WAIVER WRITTEN PERMISSION IT MUST NOT BE COPIED, REPRODUCED OR SHOWN TO THIRD PARTIES.

TITLE: ARRANGEMENT OF DRM/4-140 DIRECT COUPLED TO A GEARED MOTOR
No. GA99-302-A