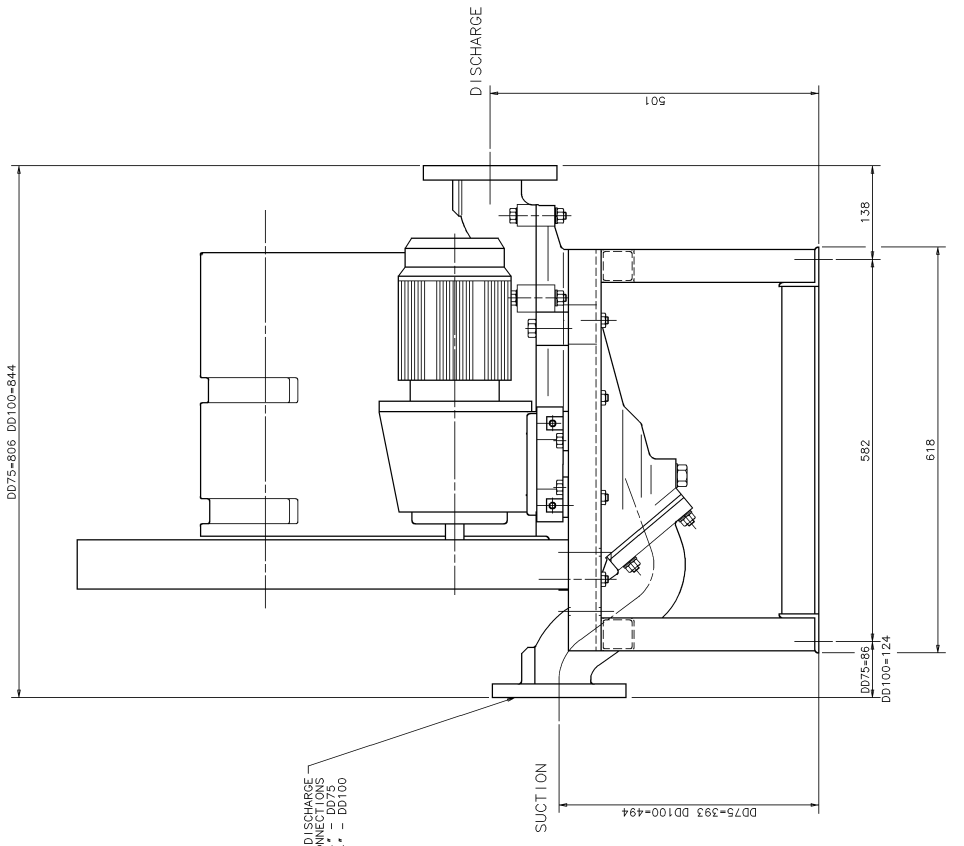


IF IN DOUBT ASK

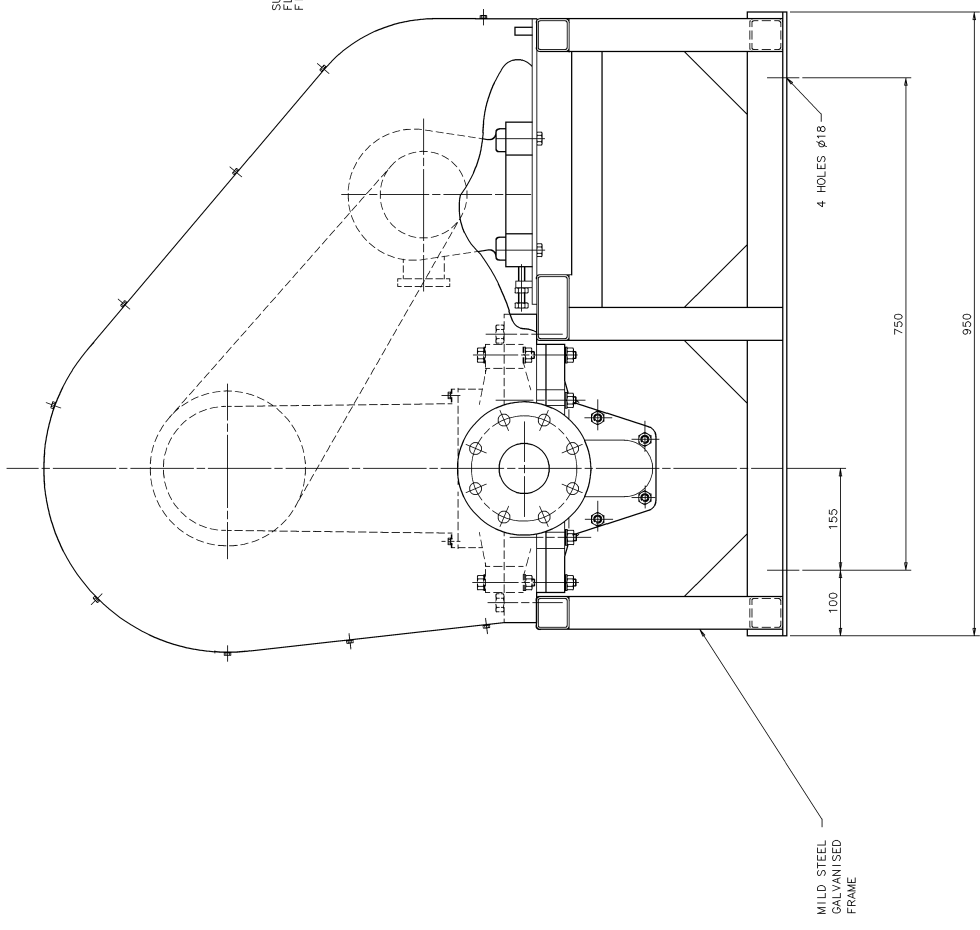
DO NOT SCALE



THIRD ANGLE PROJECTION



SUCTION & DISCHARGE  
FLANGED CONNECTIONS  
FINISHED TO DD100



UNLESS OTHERWISE STATED:	
UNIT OF MEASURE	MILLIMETRES
SCALE	1:1
DRAWN	CFB
APPROVED	[Signature]
ISSUE DATE	17/11/03
REVISION	DDU100029
ISSUE	REVISED DIMENSIONS IN MILLIMETRES
<p><b>Alfa Laval Eastbourne</b></p> <p>THIS DRAWING IS THE SOLE PROPERTY OF ALFA LAVAL LTD. WITHOUT WRITTEN PERMISSION IT MUST NOT BE COPIED, REPRODUCED OR SHOWN TO THIRD PARTIES.</p> <p>TITLE: GENERAL ARRANGEMENT DD75PS &amp; DD100PS WEDGE BELT DRIVEN BY A GEARED MOTOR</p> <p>No. GA03-243-A</p>	