

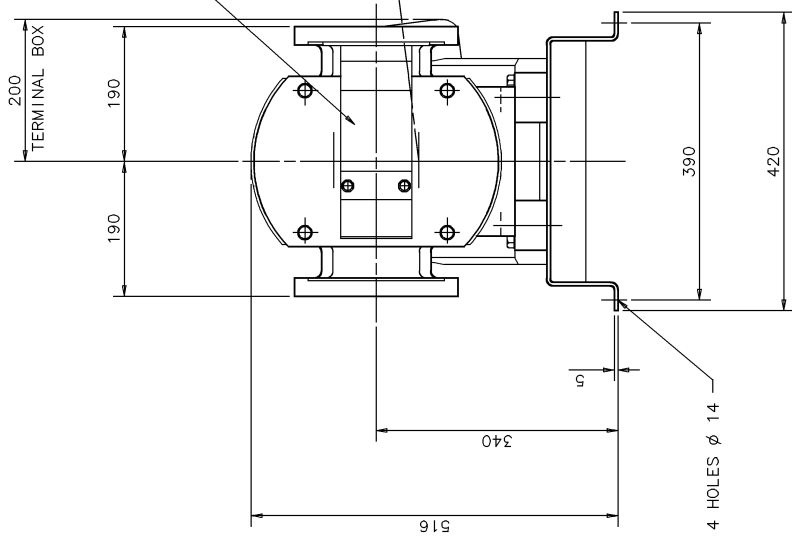
IF IN DOUBT ASK

THIRD ANGLE PROJECTION

DO NOT SCALE

GEARBOX MAKE	-	FLENDER
GEARBOX DETAILS	-	Z 80
MOTOR MAKE	-	FLENDER
MOTOR DETAILS	-	G132M4
K.W.	-	7.5
VOLTS	-	380
PHASE	-	3
HZ	-	50
ENCLOSURE	-	TEFV IP55
OUTPUT SPEED RPM	-	207

NOTE:- MOTOR FITTED WITH 220V/1/50 ANTI-CONDENSATION HEATERS.

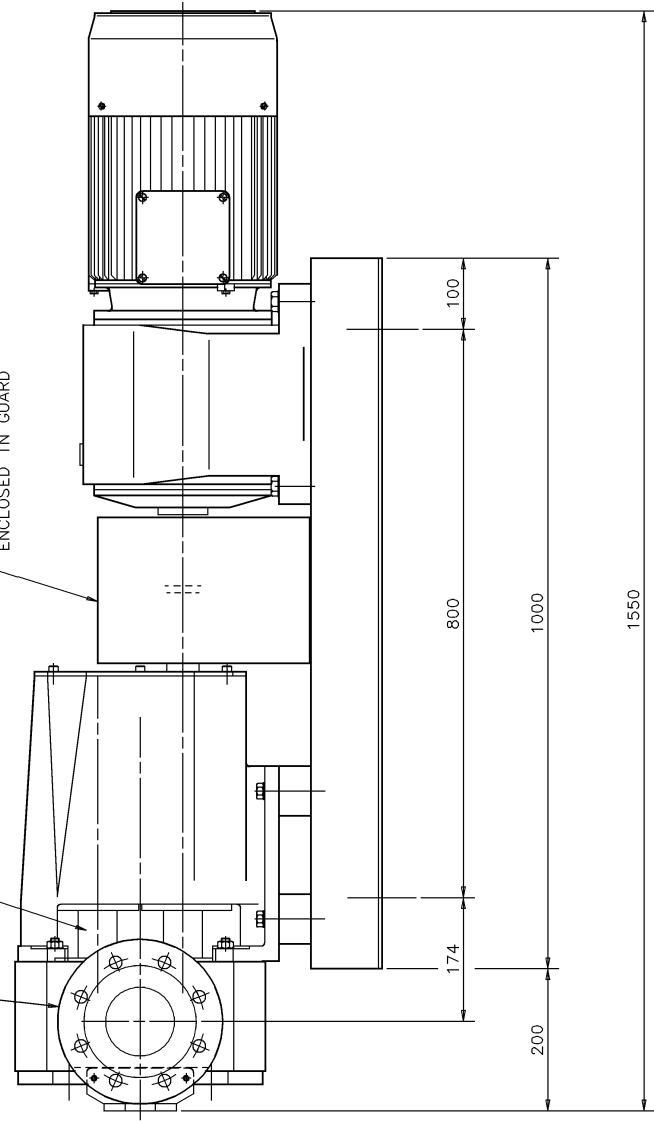


SUCTION & DISCHARGE CONNECTIONS FINISHED 4in. DIN 2533

HINGED FRONT COVER

GUARDS NOT SHOWN FOR CLARITY

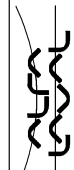
COUPLING TOTALLY ENCLOSED IN GUARD



TYPICAL DRAWING ONLY FOR QUOTATION PURPOSES ONLY NOT TO BE USED FOR INSTALLATION PURPOSES

SCALE	1/5	MATERIAL	N/A
DRAWN	GB	FINISH	N/A
APPROVED			
ISSUE DATE	21/05/06	REVISION	

DIMENSION	UNLESS OTHERWISE STATED
WHOLE NO.	TOLERANCE
ONE DEC. PLACE (0.0)	± 0.5
TWO DEC. PLACE (0.00)	± 0.1
ANGLES	± 0.5°



Alfa Laval Eastbourne  
THIS DRAWING IS THE SOLE PROPERTY OF ALFA LAVAL LTD. WITHOUT WRITTEN PERMISSION IT MUST NOT BE COPIED, REPRODUCED OR SHOWN TO THIRD PARTIES.

TITLE  
ARRANGEMENT OF DRM 5/290  
DIRECT COUPLED TO A GEARED DRIVE

No. GA96-377-A