

IF IN DOUBT ASK

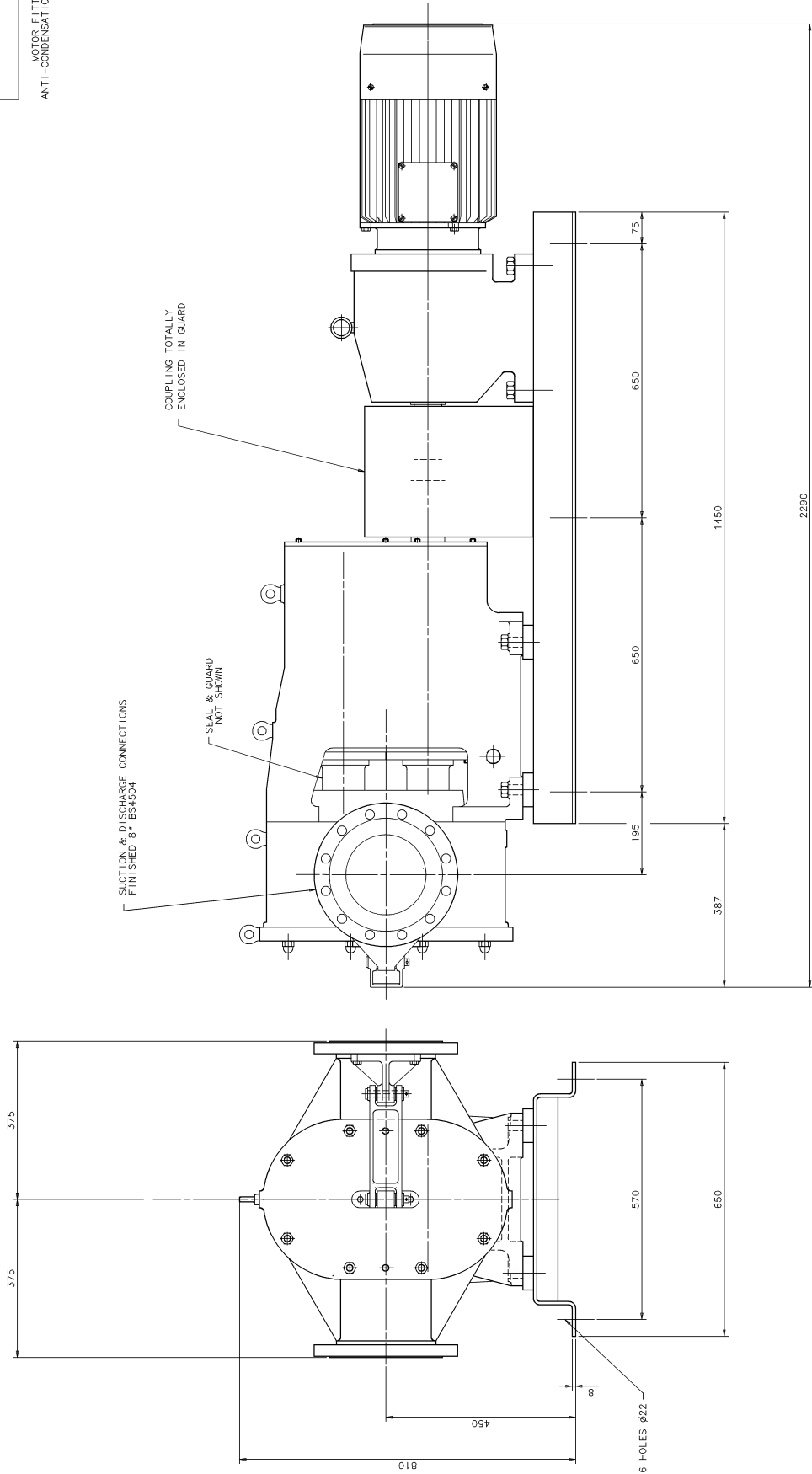
THIRD ANGLE PROJECTION

DO NOT SCALE

TYPICAL DRAWING ONLY
FOR QUOTATION PURPOSES ONLY
NOT TO BE USED FOR
INSTALLATION PURPOSES

GEARBOX MAKE - NORD
GEARBOX DETAILS - SK62
MOTOR MAKE - NORD
MOTOR DETAILS - D180L/A
K.W. - 30.0
VOLTS - 400-690
PHASE - 3
HZ - 50
ENCLOSURE - TEFV / IP55
OUTPUT SPEED RPM - 278

MOTOR FITTED WITH 220V/1/50
ANTI-CONDENSATION HEATERS & THERMISTORS



SCALE		MATERIAL	
1:1	N/A	FINISH	N/A
DOWN	C.L.	APPROVED	
UNLESS OTHERWISE STATED:		DIMENSIONS IN MILLIMETRES	
FINISH	1:1	APPROVED	
SCALE	1:1	DATE	31/03/98
UNIT	MM	ISSUE	A
ANGLE	10.01	REVISED	DOU B475
DIAMETER	10.01	REVISION	DOU B475
LENGTH	10.01	REVISION	DOU B475
WIDTH	10.01	REVISION	DOU B475
DEPTH	10.01	REVISION	DOU B475
THICKNESS	10.01	REVISION	DOU B475

Alfa Laval Pumps Ltd EASTBOURNE ENGLAND.
THIS DRAWING IS THE SOLE PROPERTY OF ALFA LAVAL PUMPS LTD. WITHOUT WRITTEN PERMISSION IT MUST NOT BE COPIED, REPRODUCED OR SHOWN TO THIRD PARTIES.
No. GA98-185-A

ARRANGEMENT OF GP801
DIRECT COUPLED TO A GEARED MOTOR